

W01



Technical Data

- Gearbox torque**
80Ncm (max)
- Gear ratios**
from 25/3 to 18 millions (see table page 8.36)
- Revolution times (motor gearbox)**
from 1 s to 800 h (see table page 8.36)
- Output shaft**
ø 4 x 13.7 mm, steel
- Clutches**
unidirectional: clockwise or anticlockwise
bidirectional: 10, 20, 30 Ncm
- Operating life**
see chart
- Temperature range**
operating: -10°C +55°C
storage: -30°C +80°C
- Mounting**
in any position, with 2 M3 screws
- Weight**
34 g

General construction

The **W01** gearbox has a sturdy fibreglass reinforced polycarbonate housing. The reduction ratio gears, made in selflubricating acetal resin to ensure a noiseless operation, rotate on hardened steel pins. The round-shaped steel output shaft turns on self-lubricating sintered bearings. The motor is fastened to the gearbox with a removable bracket. This simple coupling allows quick gearbox replacement. The **W01** gearbox is supplied with a standard output shaft with ø 4 x 13.7 mm. Special output shafts are also available on request. For this gearbox, both the unidirectional and bidirectional clutch can be mounted on the output shaft.

Coupling to motors

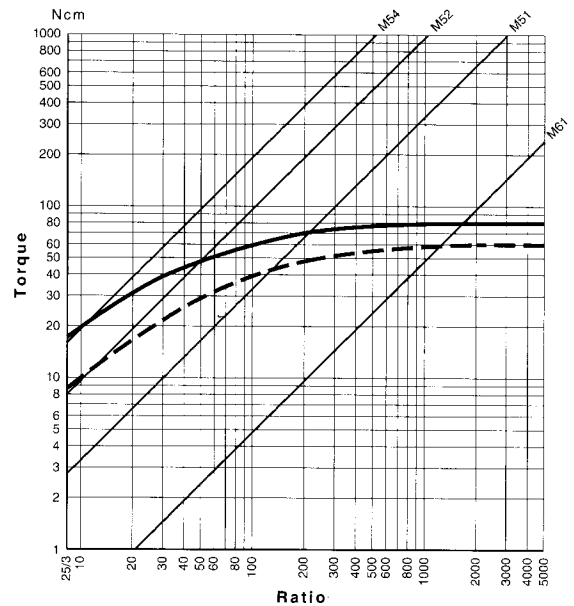
The following motors can be coupled to the W01 gearbox: **M61, M51, M52, M54, M72, M74, M80, M83** and **M84** using the special fixing brackets (see page 12.7).

Gearbox

80 Ncm torque

Torque / Ratio / Life Diagram

Motor max. torque taking into account the gearbox average efficiency $\eta=0.6$ (excluding operating life)

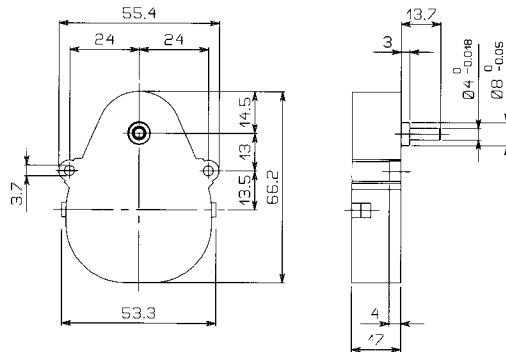


— Load on the output shaft for 1,000 hours

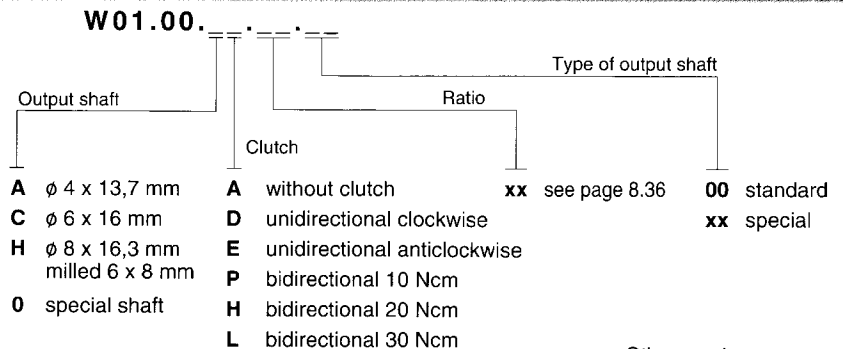
- - - Load on the output shaft for 10,000 hours

With 500 rpm motors

Overall dimensions



Gearboxes ordering code



N.B. Shafts with ø 6 and 8 mm are not equipped with clutches

Other versions on request.